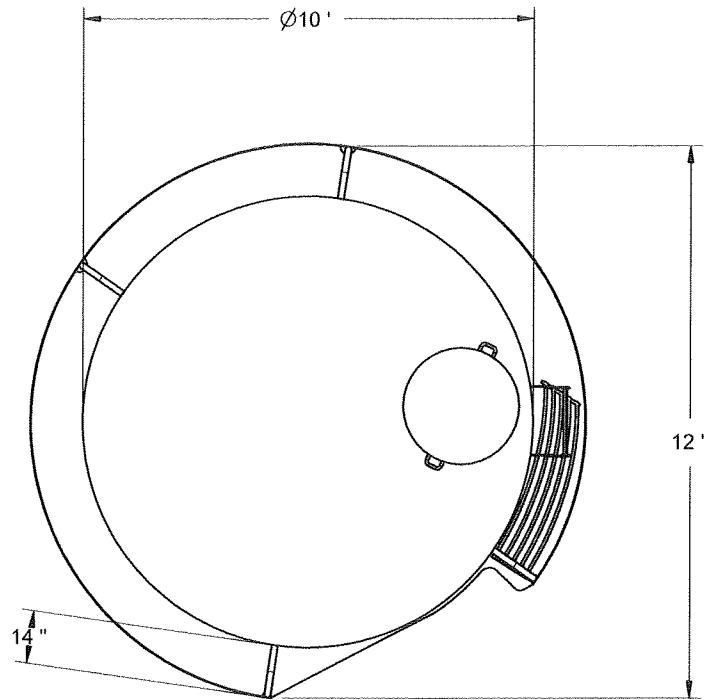
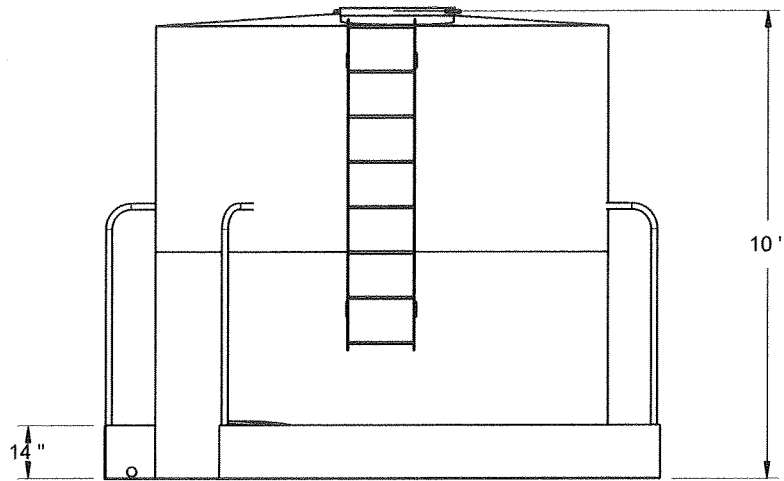


(Flag not shown)



|   |          |        |
|---|----------|--------|
| <b>Property of: Barber Industries</b>                                   |          |        |
| Any reproduction or distribution without permission strictly prohibited |          |        |
| NAME  |          |        |
| SD-1 6000 gal.  |          |        |
| PRT NO.   |          | REV    |
| 000046  |          |        |
| DRAWN   | DATE     | SHEET  |
| <b>SJF</b>  | 3/2/2010 | 1 of 1 |