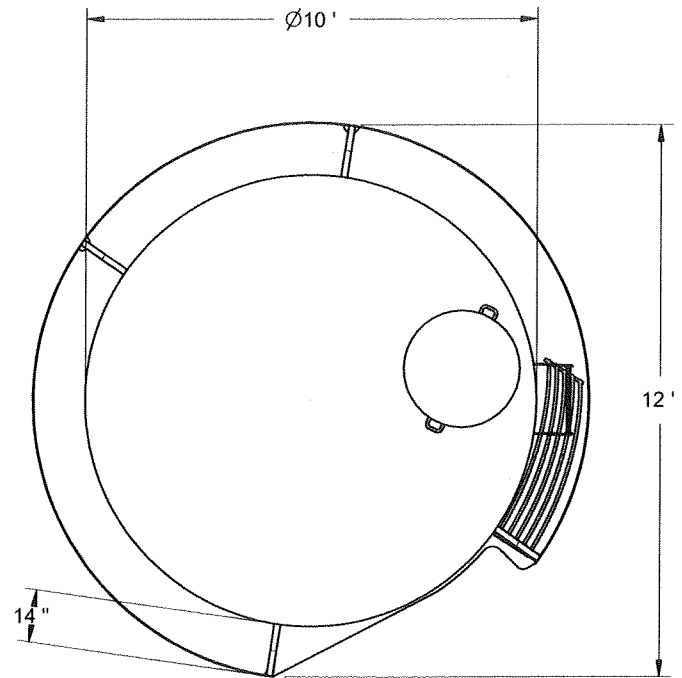
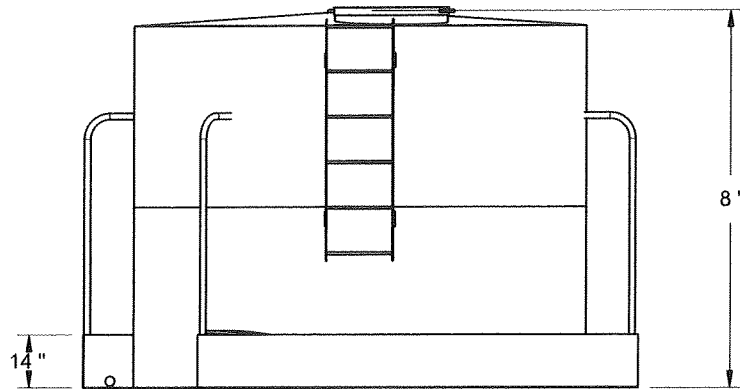
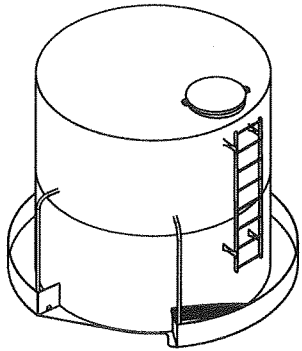


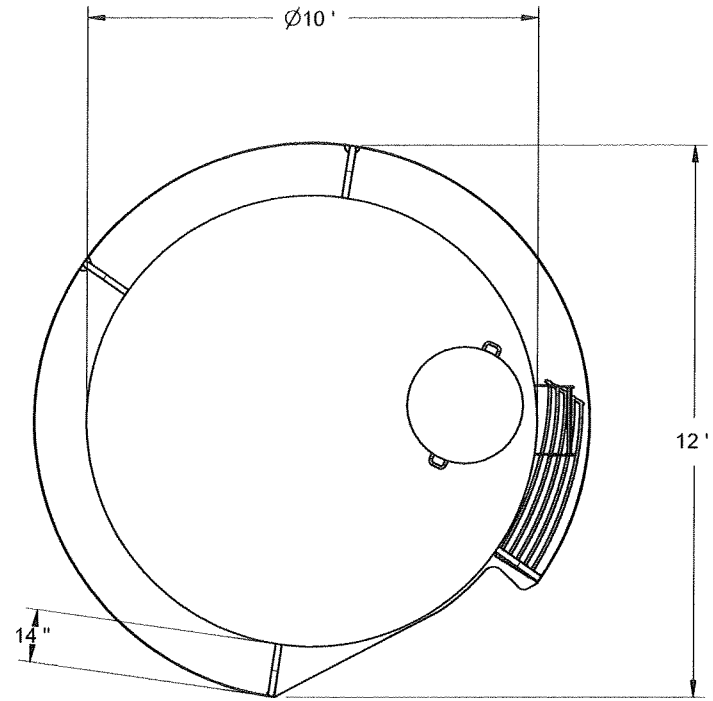
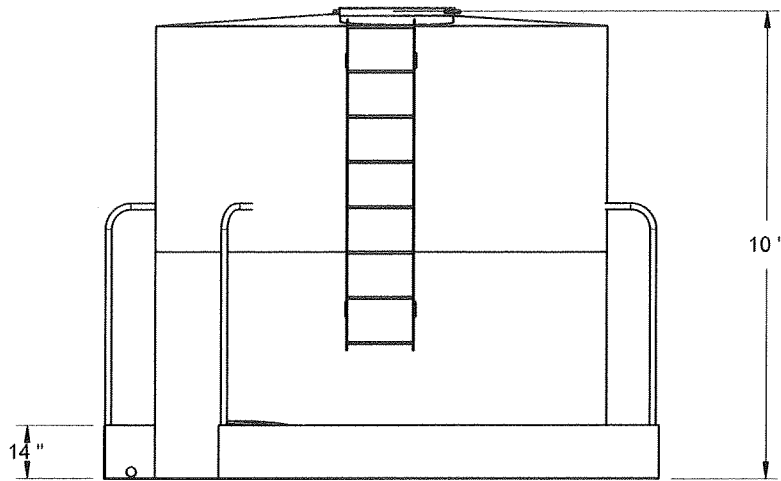
(Flag not shown)



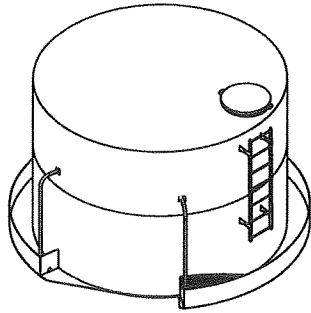
Property of: Barber Industries		
Any reproduction or distribution without permission strictly prohibited		
NAME		
SD-1 4500 gal.		
PRT NO.		REV
000045		
DRAWN	DATE	SHEET
SJF	3/2/2010	1 of 1



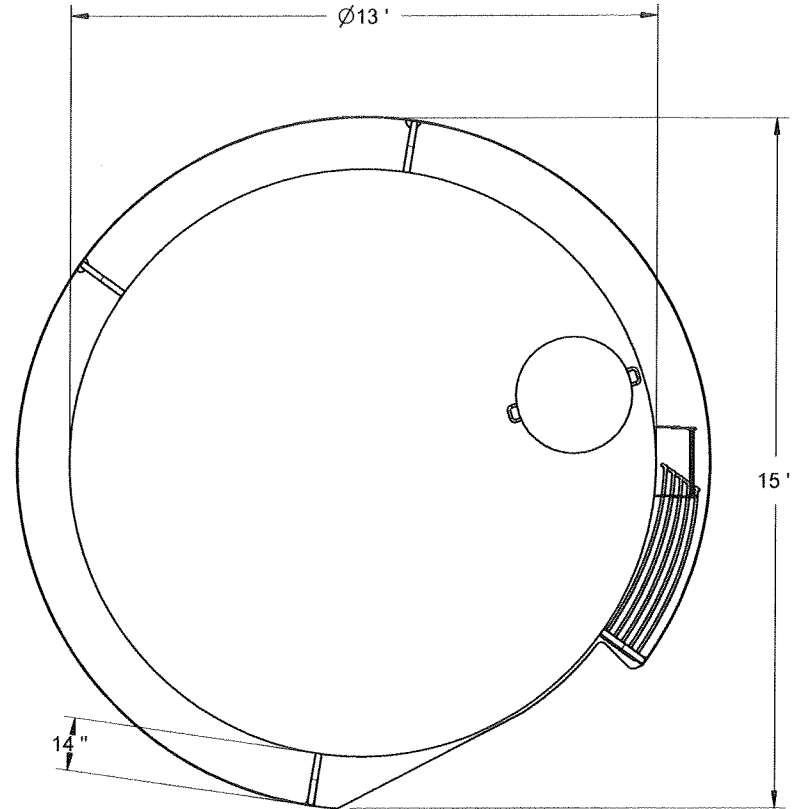
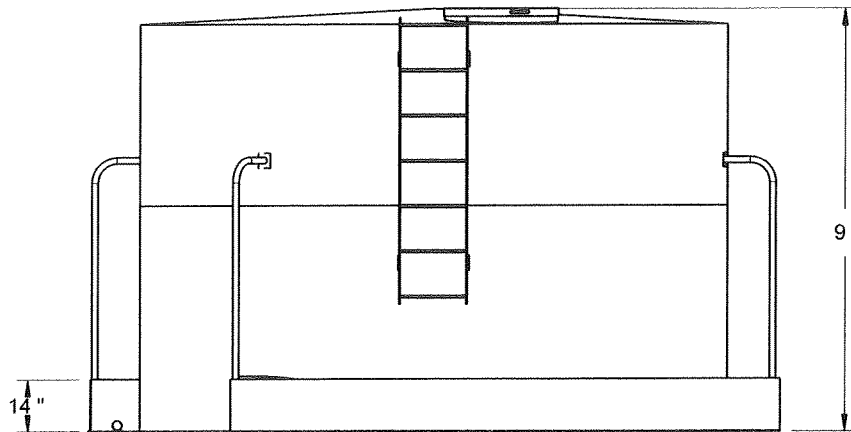
(Flag not shown)



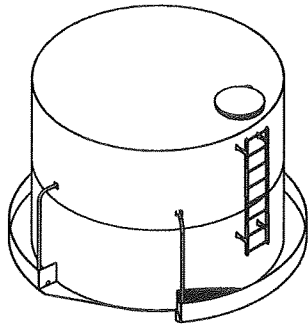
Property of: Barber Industries		
Any reproduction or distribution without permission strictly prohibited		
NAME		
SD-1 6000 gal.		
PRT NO.		REV
000046		
DRAWN	DATE	SHEET
SJF	3/2/2010	1 of 1



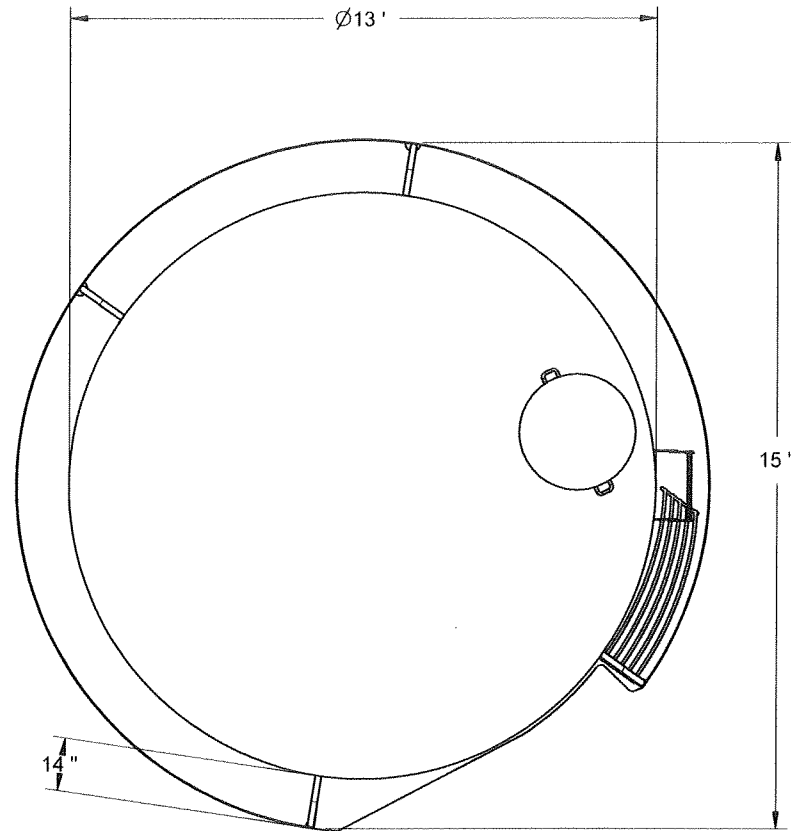
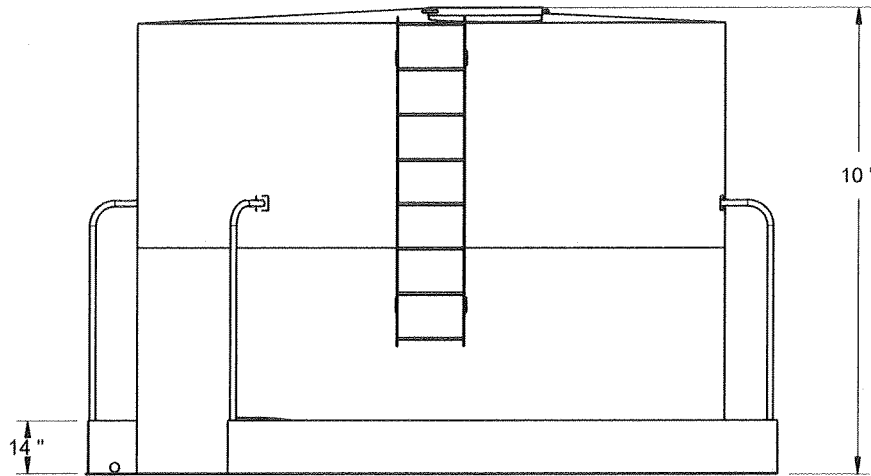
(Flag not shown)



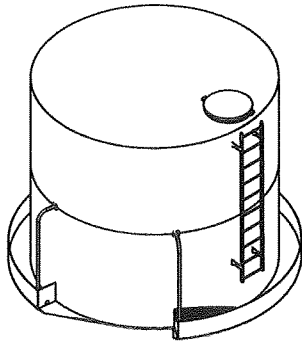
Property of: Barber Industries		
Any reproduction or distribution without permission strictly prohibited		
NAME		
SD-1 8000 gal.		
PRT NO.		REV
000047		
DRAWN	DATE	SHEET
SJF	3/2/2010	1 of 1



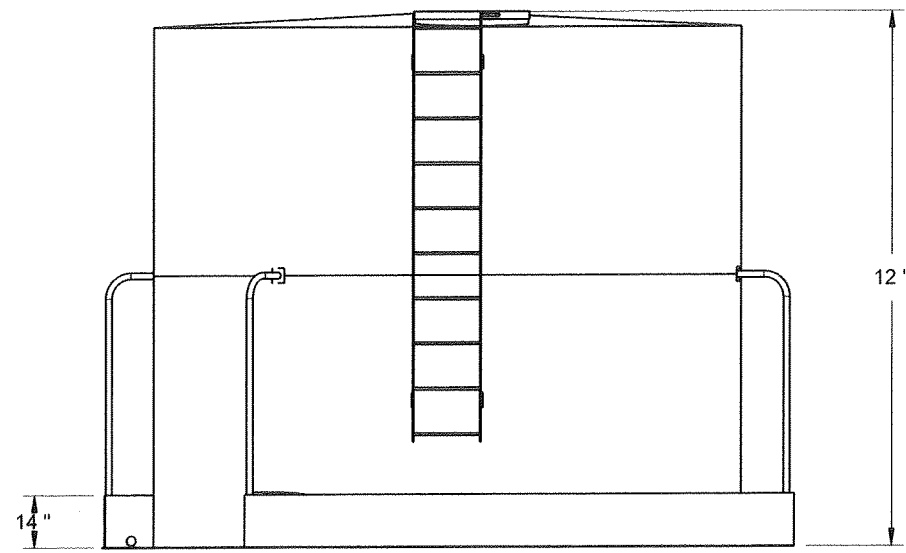
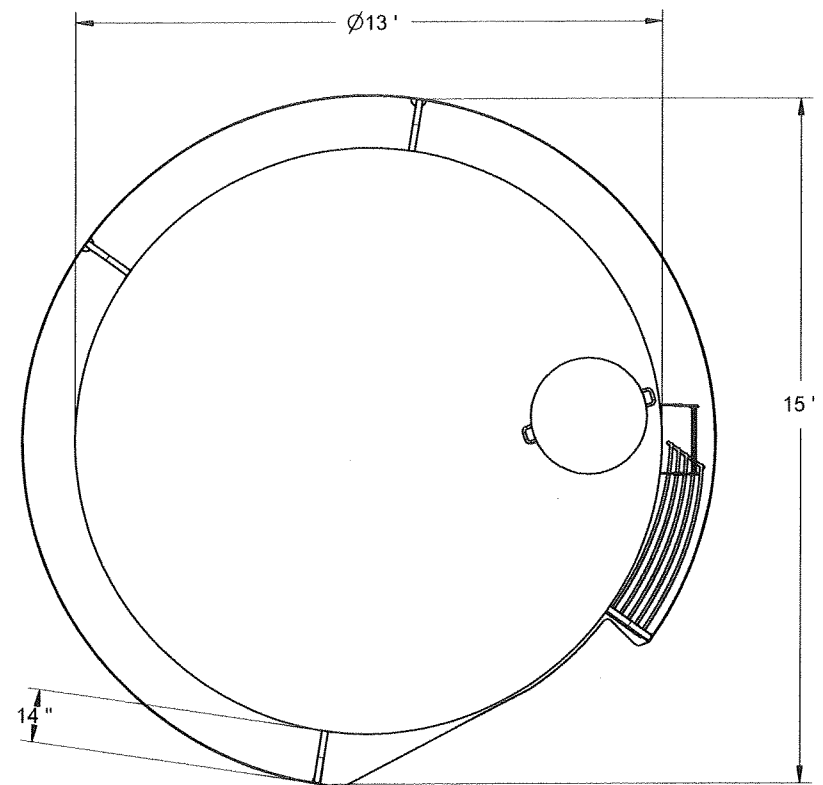
(Flag not shown)



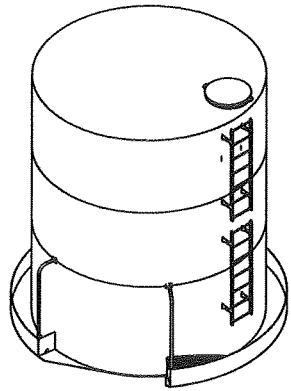
Property of: Barber Industries		
Any reproduction or distribution without permission strictly prohibited		
NAME		
SD-1 10,000 gal.		
PRT NO.		REV
000048		
DRAWN	DATE	SHEET
SJF	3/2/2010	1 of 1



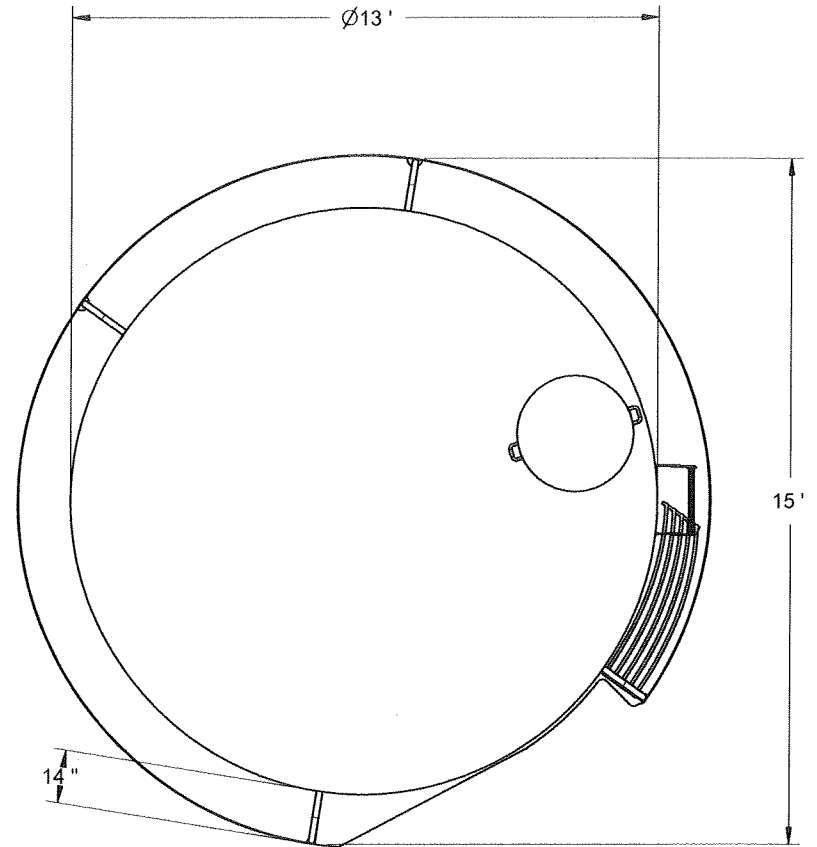
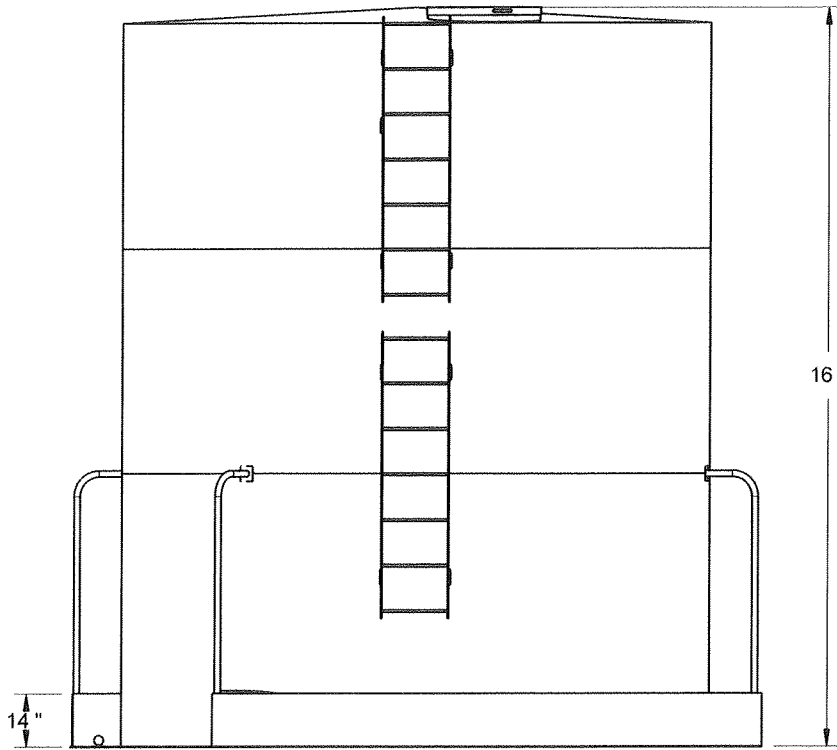
(Flag not shown)



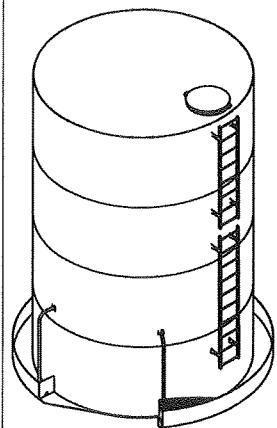
Property of: Barber Industries			
Any reproduction or distribution without permission strictly prohibited			
NAME			
SD-1 12,000 gal.			
PRT NO. 000049			REV
DRAWN SJF	DATE 3/2/2010	SHEET 1 of 1	



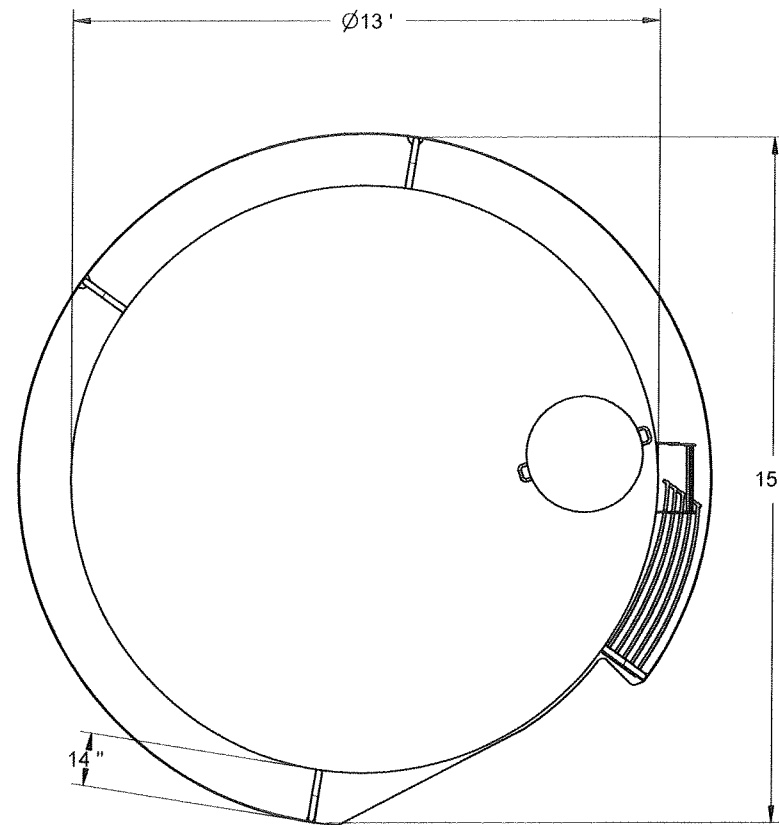
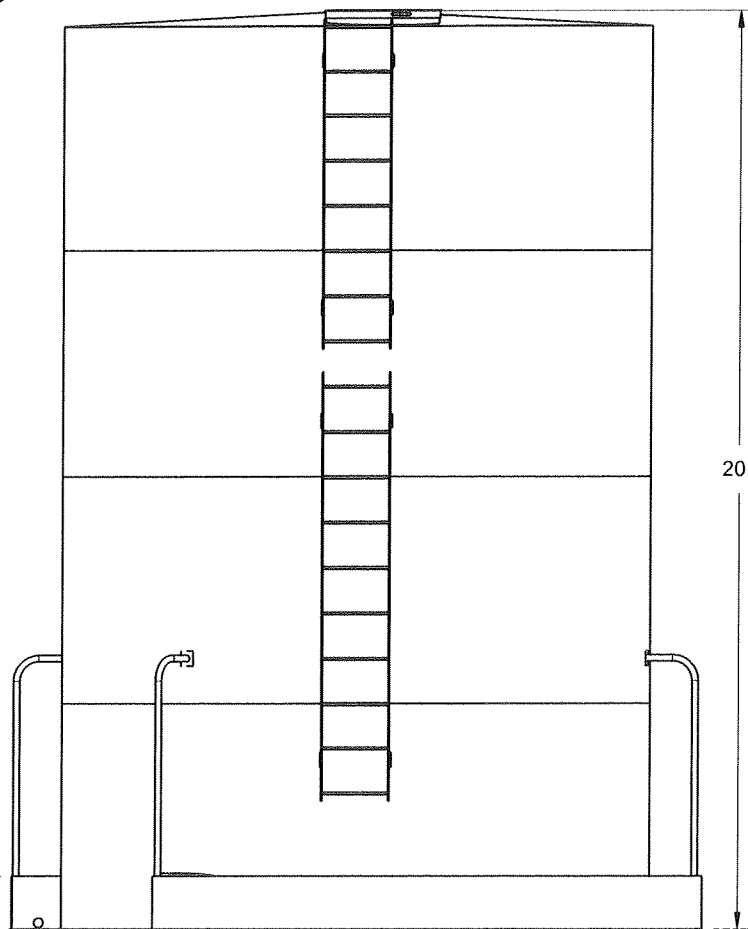
(Flag not shown)



Property of: Barber Industries		
Any reproduction or distribution without permission strictly prohibited		
NAME		
SD-1 16,000 gal.		
PRT NO.		REV
000050		
DRAWN	DATE	SHEET of 1
SJF	3/2/2010	1 of 1



(Flag not shown)



Property of: Barber Industries		
Any reproduction or distribution without permission strictly prohibited		
NAME		
SD-1 20,000 gal.		
PRT NO.		REV
000051		
DRAWN	DATE	SHEET
SJF	3/2/2010	1 of 1