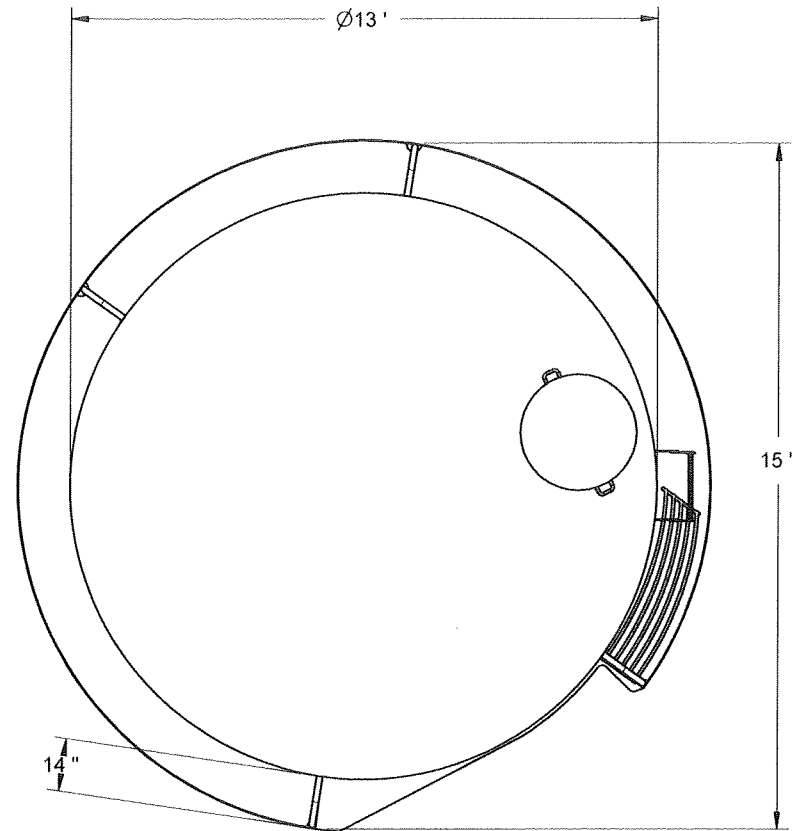
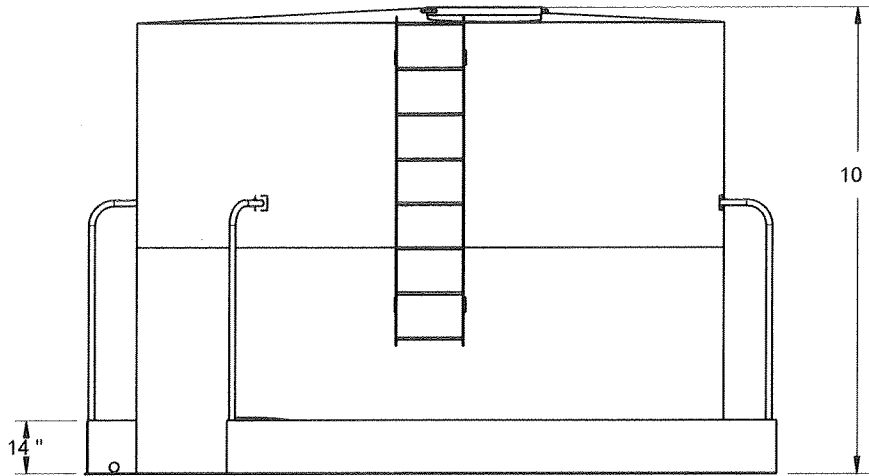


(Flag not shown)



<b>Property of: Barber Industries</b>		
Any reproduction or distribution without permission strictly prohibited		
NAME		
<b>SD-1 10,000 gal.</b>		
PRT NO.		REV
000048		
DRAWN	DATE	SHEET
SJF	3/2/2010	1 of 1